



K-VAR

When you need AK parts, Think AK; Always K-VAR!

FIRE CONTROL GROUP



U.S. MADE

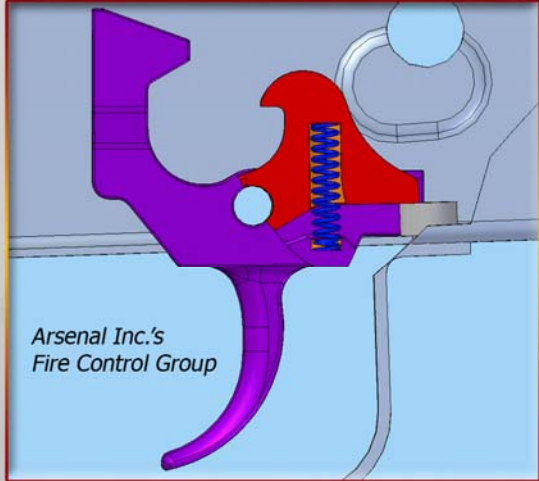
For product availability and additional information on this and other great products, please contact K-VAR Corporation at 702-364-8880 or visit our website at www.k-var.com. All written correspondence should be sent to 5015 W. Sahara Ave. #125, Las Vegas, NV, 89146-3407.



K-VAR

When you need AK parts, Think AK; Always K-VAR!

U.S. MADE FIRE CONTROL GROUP

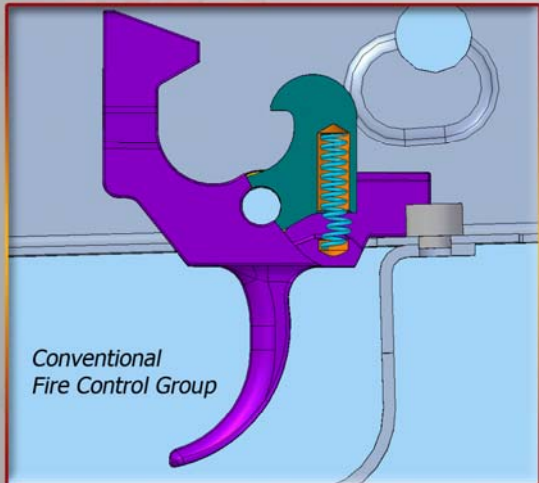


Arsenal Inc.'s
Fire Control Group

↑ Flat spring well bottoms, flared wells and close tolerances ensure perfect alignment. Disconnecter tail contacts rivet, thus no trigger slap.

contorts the spring to conform to its funnel shape. All properly designed springs will have the ends machined flat, and Arsenal Inc.'s disconnecter spring wells are correspondingly flat, ensuring perfect seating and alignment.

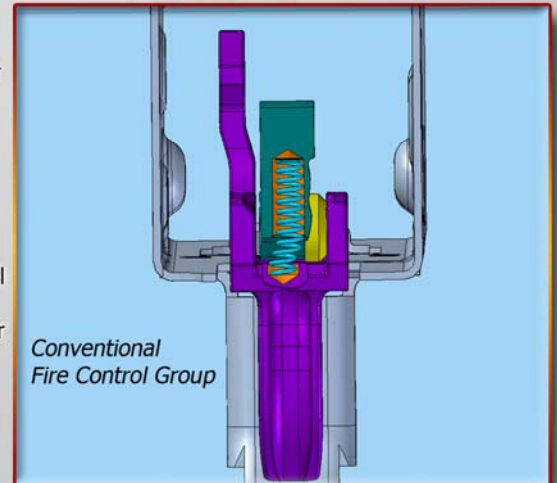
- The minimized spring distortion prevents trigger slap by keeping the spring in perfect alignment, so the spring does not bundling up during compression. A bundled up spring loses its effectiveness and no longer provides effective damping and will in fact transfer the disconnecter's rearward movement directly to the trigger, resulting in trigger slap and premature disconnecter spring failure.
- The tail of the disconnecter is designed to work in conjunction with a special rivet that also attaches the rear of the trigger guard to the receiver. The tail of this disconnecter is the correct length to contact the special rivet prior to it hitting the back of the trigger and is not long enough to function with a full auto selector lever, per BATFE regulations. It will not work and cannot be made to work as a full auto part. The special rivet is standard on receivers that are properly manufactured according to specifications. If your AK does not utilize this rivet, it is out of spec and it will not protect your finger from trigger slap.



Conventional
Fire Control Group

↑ Pointed well bottoms, loose tolerances, no disconnecter tail causes premature spring failure, poor performance and trigger slap.

- The components that comprise Arsenal Inc.'s fire control group are hardened to the correct hardness for each individual part, ensuring unequalled durability and reliability.
- The hammer is specially designed with a stop that will contact the bottom of the receiver prior to striking the center support sleeve, should the hammer be allowed to fall without the bolt carrier assembly in place. Repeated strikes on the center support sleeve will weaken and possibly break the hammer, as well as possibly deform the center support sleeve and rivet, damaging the receiver. No other hammer available today has this feature and is another Arsenal Inc. exclusive.



Conventional
Fire Control Group

↑ Loose tolerances results in too much play, causing premature wear, poor performance and trigger slap.

For product availability and additional information on this and other great products, please contact K-VAR Corporation at 702-364-8880 or visit our website at www.k-var.com. All written correspondence should be sent to 5015 W. Sahara Ave. #125, Las Vegas, NV, 89146-3407.